



## Fireplace Glass Door

### Owner's Manual

## WARNING!

***Never close the Fireplace Glass Doors while a fire is burning in the fireplace!***

This Fireplace Glass Door is intended for installation on a **masonry fireplace ONLY**  
**DO NOT** use this glass door on a pre-fabricated fireplace.

#### To determine the type of fireplace:

- A. Masonry Fireplaces are constructed of brick and mortar with a brick chimney.
- B. Pre-fabricated Fireplaces have a metal firebox and a sheet metal duct chimney.

A Pre-fabricated Fireplace, also called a Zero Clearance Fireplace, will require a different type of Glass Door. Keep in mind that while Fireplace Glass Doors appear interchangeable, *they are not!* If your fireplace is a factory built pre-fab, **Do Not** use this firescreen. Check the make and model number of your pre-fab fireplace and consult your dealer for the appropriate Fireplace Glass Door.

*Place firewood grate at least seven inches back from the mesh screen. Discoloration may occur as a result of a large fire or placing the grate too close to the Glass Door frame.*

**NEVER attempt to use your fireplace until you first read and understand the following Safety Rules that will help prevent possible bodily injury or property damage.**

***Please check with your local city or municipal code before installing this Fireplace Glass Door.***

#### SAVE THIS MANUAL FOR FUTURE REFERENCE

MODEL NUMBER: \_\_\_\_\_ SIZE: \_\_\_\_\_

MODEL NAME: \_\_\_\_\_

(This information will be found on your sales ticket and/or carton label.)



6440 W. Howard St.  
Niles, IL 60714-3302  
Tel: (847) 324-5900  
Fax: (847) 583-0890  
Toll Free: (877) GHP Group  
(877) 447 - 4768

Questions, problems, missing parts? Before returning to your retailer,  
call our customer service department at 1-877-447-4768,  
8:30 a.m.-4:30 p.m., CST, Monday-Friday.

10-10-559  
REV. 01/30/2018

## TABLE OF CONTENTS

Safety Information.....	2
Package Contents.....	3
Installation Instructions.....	4
Care & Maintenance.....	9
Warranty.....	9

### SAFETY INFORMATION

### SAVE THESE INSTRUCTIONS

Please read and understand this entire manual before attempting to assemble, operate or install the product. If you have any questions regarding the product, please call customer service at 1-877-447-4768, 8:30 a.m. – 4:30 p.m., CST, Monday – Friday.

- 1. NEVER LEAVE YOUR FIREPLACE UNATTENDED WHILE IT IS IN USE.**
- 2. NEVER CLOSE THE FIREPLACE GLASS DOORS WHILE A FIRE IS BURNING IN THE FIREPLACE.** Excessive fireplace temperatures may result which could cause the glass doors to shatter and cause personal injuries or property damage. Tempered glass does not imply unbreakable glass. In the unlikely event of glass failure, it will shatter into small pieces to reduce the risk of personal injury or property damage.
3. Always confirm that the chimney damper is open before starting a fire and during use so that smoke will not exhaust into the room. Always use the damper control knob(s) located at the bottom of the firescreen to adjust the draft and fire intensity.
4. Always position the firewood grate close to the back wall of the firebox and at least 7” back from the wire mesh screen. Never build too large of a fire, to assure safe use of the fireplace. Always keep all combustible materials at least 3’ from the front of the fireplace when in use.
5. Never put any volatile substance in the fireplace. Always confirm that volatile liquids such as gasoline, charcoal starter, lighter fluid, lantern fuel, or kerosene are NOT located near the front of the fireplace. Only use kindling or prepackaged fire starter materials to start a fire.
6. Always keep the wire mesh screen completely closed when the fireplace is in use, except when adding wood. A closed screen acts as a safety barrier for sparks.
7. Always provide adult supervision for children and pets when the fireplace is in use, and keep them at a safe distance to prevent accidental burns. To prevent burns, always wear an insulated mitt before touching the damper control knobs, door handles, wire mesh screen, glass doors, or door frames whenever the fireplace is in use.
8. Never use the fireplace for incinerating trash, newspapers, or waste materials which may release toxic/noxious fumes.
9. Never allow cold water or other cold substances to come in contact with the fireplace doors before they have cooled completely, as the glass could shatter.
10. Never attempt to dispose of ashes until they have cooled completely, as hot ashes are a potential source of ignition. Always use the fireplace clean-out door (if available) for removing the ashes and always use a metal container for safe disposal.

**WARNING:** Carefully read this entire manual before you begin installing your Glass Door. Also, please check the chart below to make certain you have purchased the correct Glass Door for your fireplace opening.

**NOTE:** This Fireplace Glass Door is designed to surface mount, with an overlap, on the outside of the fireplace opening. This unit will cover a range of sizes.  
(See the Chart below.)

Size	Overall Door Dimension	Fits Fireplace Opening	
		Width	Height
Small	37.5” x 30” *	30” - 37”	22.5” - 29.5” *
Medium	37.5” x 33” *	30” - 37”	25.5” - 32.5” *
Large	43.5” x 33” *	36” - 43”	25.5” - 32.5” *

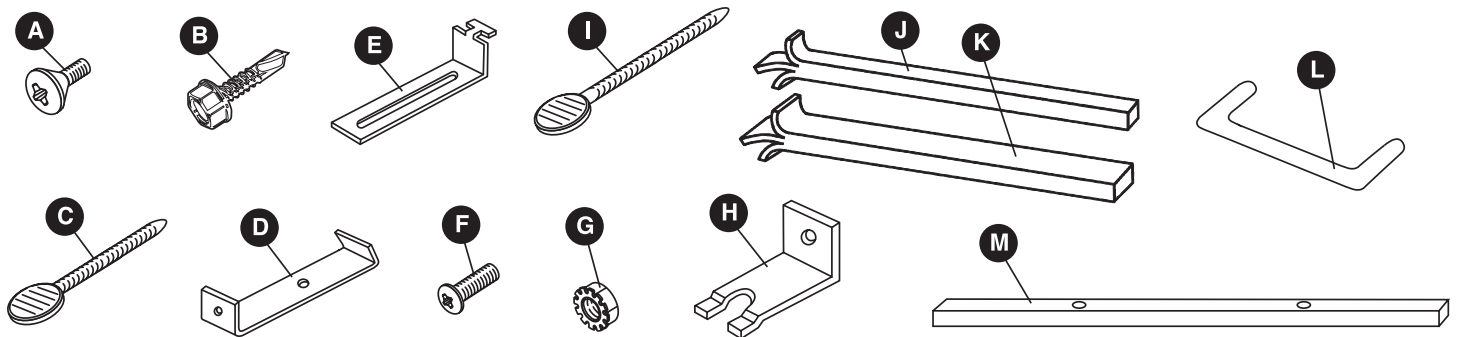
\*Height includes a 2” riser bar (not assembled). See assembly instructions for details.

**(Sizing Chart for Carson Glass Doors Only)**

Size	Sku#	Style	Overall Dimensions*	Fits Openings	
				Width	Height*
1	CN-1001	Bifold Style	37.5 X 26.0"	30.0" - 37.0"	22.5" - 25.5"
2	CN-1002	Bifold Style	37.5 X 29.0"	30.0" - 37.0"	25.5" - 28.5"
3	CN-1003	Bifold Style	37.5 X 32.0"	30.0" - 37.0"	28.5" - 31.5"
4	CN-1004	Bifold Style	43.5 X 29.0"	36.0" - 43.0"	25.5" - 28.5"
5	CN-1005	Bifold Style	43.5 X 32.0"	36.0" - 43.0"	28.5" - 31.5"

\*Height includes a 2" riser bar (not assembled). See assembly instructions for details.

**PACKAGE CONTENTS**



PART	DESCRIPTION	QTY.	PART NO.
A	1/4-20 X 1/4" Machine Screw	2	10-09-115
B	1/4-20 X 1/2" Thread Cutting Screw	2	10-09-116
C	1/4-20 X 2" Thumbscrew (for lintel clamp)	2	10-09-117
D	Lintel Clamp	2	10-04-122
E	Key Bracket	2	10-04-123
F	8-32 x 5/8" Machine Screw (only for Riser Bar)	2	10-09-118
G	8-32 Hex Nut (only for Riser Bar)	2	10-09-119
H	Pressure Bracket	2	10-04-124
I	1/4-20 X 3 1/2" Thumbscrew (for pressure bracket)	2	10-09-120
J&K	Fiberglass Insulation (2" & 3" wide)	1 Bag	10-06-100
L	Handles with Screws	2	
M	Riser Bar	1	

*Some parts and specifications may change without notice.*

**TOOLS REQUIRED:**

Phillips and Flathead Screwdrivers, Scissors, Measuring Tape, Gloves

**NEUTRALIZE THE HEARTH:**

Newly-built fireplaces often contain a residue of acid used during construction. If allowed to remain in the pores of the brick, this acid will release a gas that rusts iron and creates pitmarks or red spots. If your builder has not neutralized the fireplace, follow these instructions prior to installing your Glass Door.

1. Brush a mild solution of household ammonia on all brick, stone, or cement surfaces in your fireplace.
2. Remove all neutralizing solution by rinsing thoroughly with warm water, followed by several cool rinses.

# INSTALLATION INSTRUCTIONS

Carefully remove all contents from the carton and place Fireplace Glass Door on a flat, padded surface to avoid damaging the finish. Always lift the door by the sides, not the top frame. Check hardware against the parts list. **If you are missing parts, please call GHP customer service at 1-877-447-4768.**

**CAUTION:** Before installing the Glass Door, make sure the fireplace is cool.

1. Mount door handles (L) to glass doors (left and right hand door assemblies) using the screws provided with the handles.

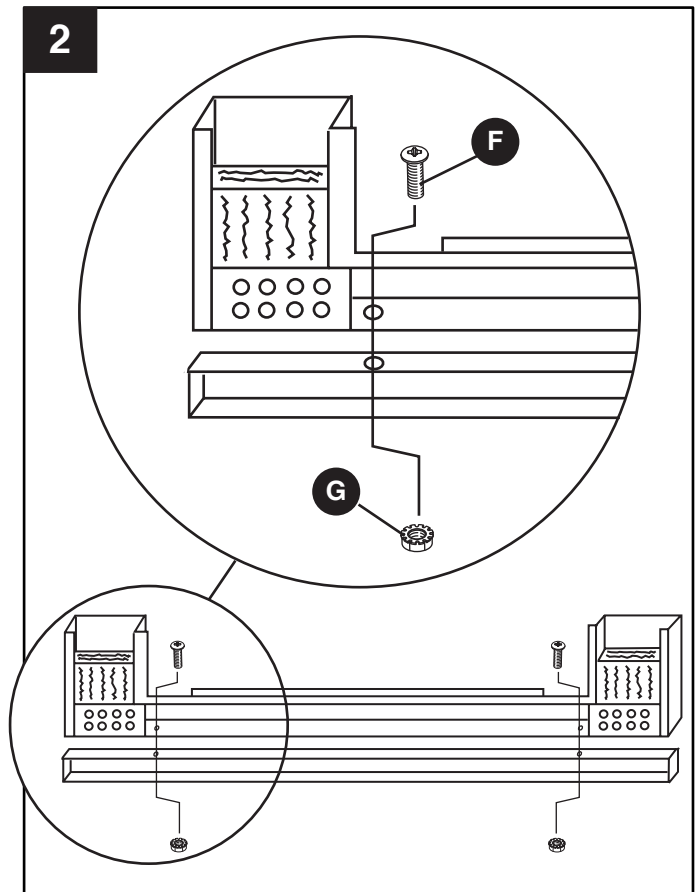
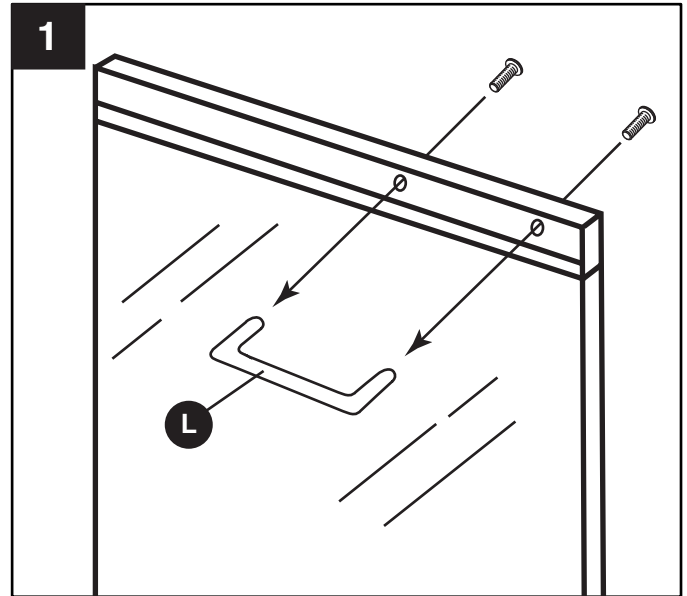
2. **NOTE: This step may not be necessary!**

The actual frame height (shown on Page 2) includes a 2" riser bar. If your fireplace opening height matches the dimensions noted below, DO NOT ATTACH THE RISER BAR:

Size	Opening height
Small	27 3/4" or less
Medium	30 3/4" or less
Large	30 3/4" or less

When the riser bar is required, lay the door face down on a flat, padded surface. Attach the riser bar with two (2) 8-32 x 5/8" Machine Screws (F) and two (2) Hex Nuts (G) as shown in Figure 2. Use caution to protect your hands from possible sharp metal edges. The back edges of the riser bar and the back edges of the bottom frame should be flush. In some cases, the riser bar will extend in front of the assembly frame which is correct.

NOTE: If your frame does not require a riser bar, the screws (F) and nuts (G) may be discarded.

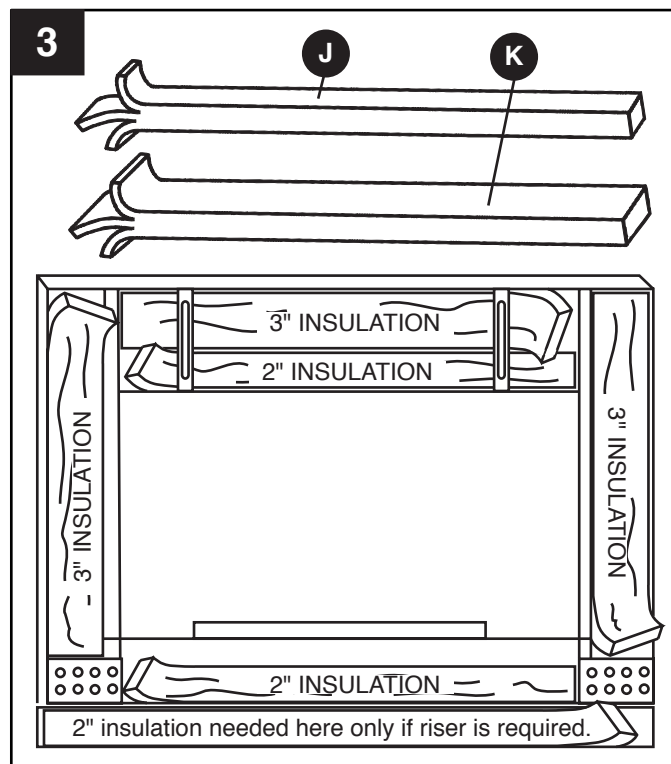


## INSTALLATION INSTRUCTIONS

### 3. **NOTE: Fiberglass insulation may irritate your skin. Always wear gloves when handling.**

The fiberglass insulation provided is heat resistant. Your particular model may leave some of the insulation exposed to the inside of the fireplace. This is normal and should not be of concern. This fiberglass is designed to protect the metal finish of your frame. Both the 2" and 3" Fiberglass Pieces (J & K) will separate into three strips each by peeling them from one end as shown in Figure 3. Measure all dimensions of the back channels on your Glass Door. Cut insulation to length with scissors and place in back top and back side channels as illustrated.

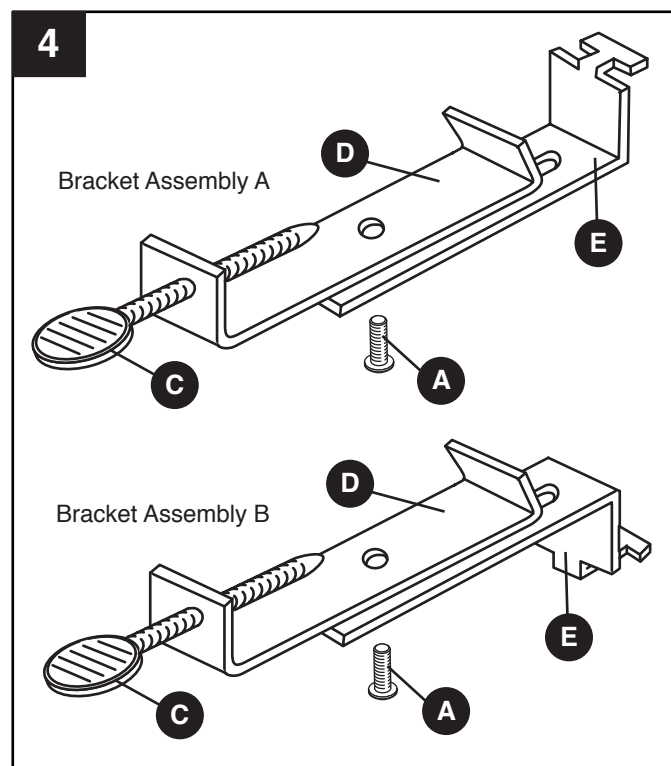
**NOTE:** The insulation does not need to fill the channels to their full depth. Should you prefer additional insulation, you may purchase it from your local home improvement center.



### 4. *The lintel bar is the "L" shaped angle iron that supports the bricks along the top of the fireplace opening. This bar is built into your masonry fireplace when originally constructed. Measure the width of the lintel bar. If the lintel bar is less than 3" or more than 4" wide, refer to the **Alternative Mounting Method Instructions** (Page 8) and skip steps 4-6 in this section.*

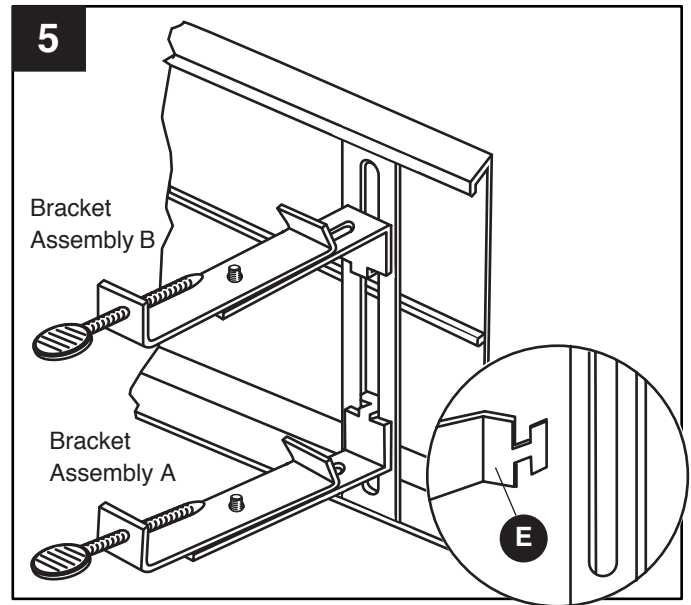
To determine the proper bracket assembly for your fireplace, measure the distance from the bottom of the Lintel Bar to the bottom of the fireplace. Use this measurement to determine where the Lintel Bar will line up with the slotted brackets on the back of your frame. If the measurement reaches the top of the slotted brackets, follow Bracket Assembly A. If the measurement is not the same height as the slotted brackets, follow Bracket Assembly B.

Assemble the Key Bracket (E) to the lintel clamp (D) with the 1/4-20 x 1/4" Machine Screw (A). Do not tighten. Thread 1/4-20 x 2" Thumbscrew (C) into lintel clamp. Do not tighten.

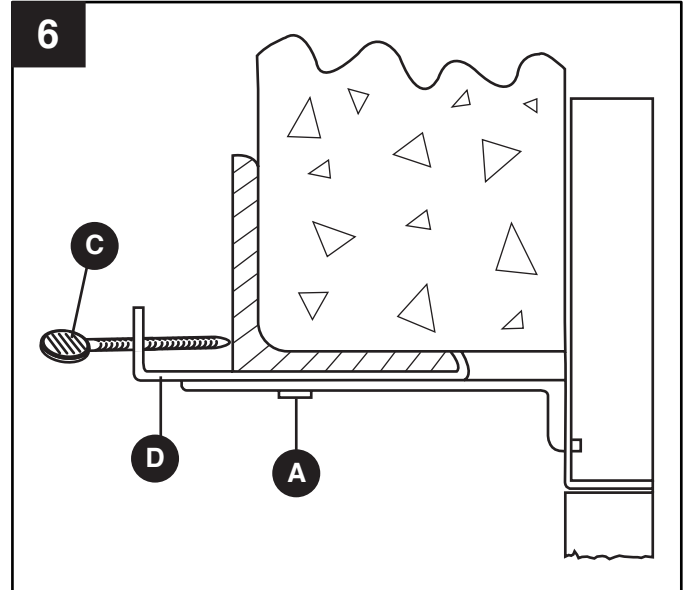


## INSTALLATION INSTRUCTIONS

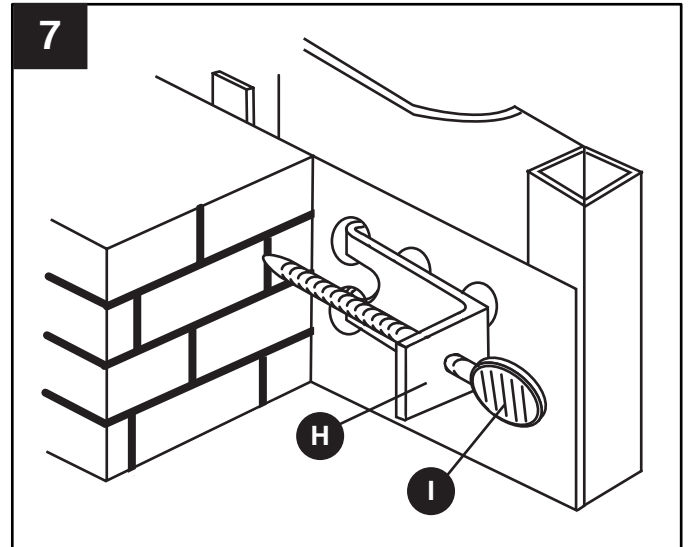
5. While keeping the door panels fully open, place the Glass Door against the fireplace. Place the "T" head of the Key Bracket (E) into the slotted bracket on the back of the door as shown in the inset and turn bracket assembly to horizontal position as shown in Figure 5. Repeat on opposite end.



6. Center the Glass Door against the fireplace opening. (A second person may be necessary to hold the door tightly against the fireplace opening.) Reach inside and slide the Lintel Clamp (D) back or forward until the lip of the Lintel Clamp (D) is firmly against the lintel bar. Tighten the 1/4-20 x 1/4" Machine Screw (A). Making sure the Glass Door is against the fireplace, tighten the 1/4-20 x 2" Thumbscrew (C) until the door is secure on top as shown in Figure 6. Repeat on opposite end.

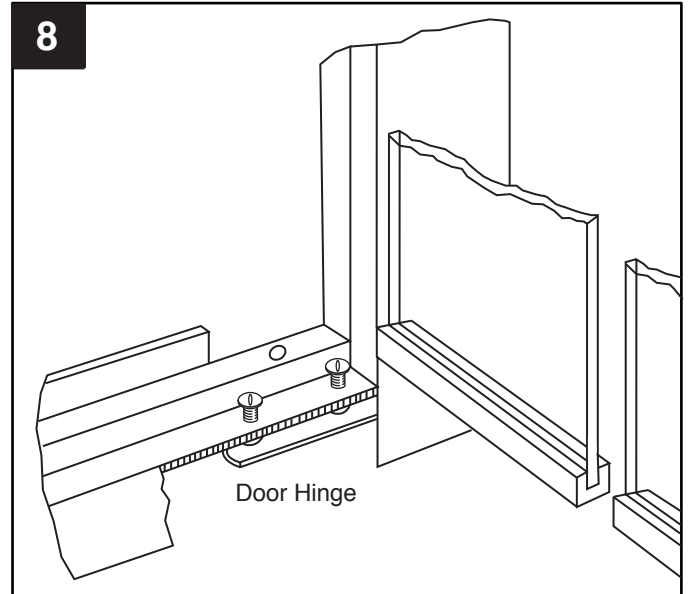


7. Insert 1/4-20 x 3 1/2" Thumbscrew (I) into Pressure Bracket (H). Insert Pressure Bracket (H) into the pair of holes closest to the side of the fireplace opening. Making sure the Thumbscrew (I) is pointing towards the sidewall of the fireplace, tighten the Thumbscrew (I) into the wall. Repeat on opposite end.

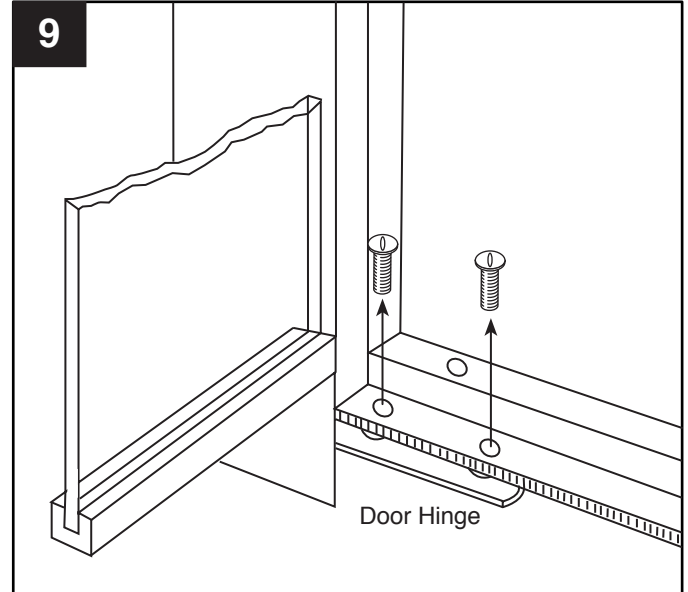


## INSTALLATION INSTRUCTIONS

8. There are four door panel hinges (two in the top track and two in the bottom track). The door panel hinges are designed to be adjusted. If the door panels are not evenly aligned or if there is too much space between the center of the door panels (when they are in a closed position), you may adjust them as follows: Open the door panels. Reach inside and loosen the panel hinge screws. **Do not remove the screws.** Slide the door panel hinges left or right until the space between the center of the door panels is even, as shown in Figure 8. Return door panels to their original position. Carefully maintain the door panel hinge position and tighten screws.



9. To remove the door panels for cleaning or replacement, begin by opening the door panels. Remove the door panel hinge screws from the top and bottom hinges as shown in Figure 9. Remove the door panel(s).



**NOTE:** In some models, a riser bar is provided with two sets of holes (top and bottom). For proper flush fit, use the top or bottom set of holes, whichever are suitable to your frame. Remember that proper flush means the back edges of the riser bar and the back edges of the bottom frame assembly are even. In some cases, the riser bar will extend in front of the frame assembly, which is correct.

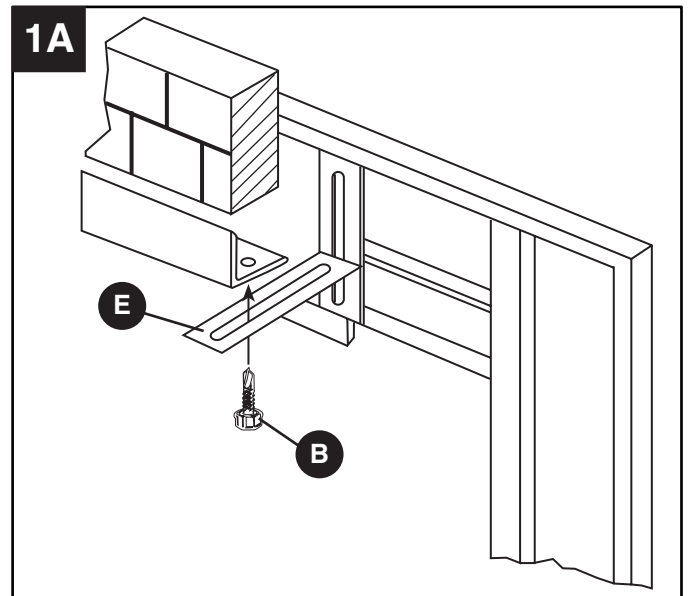
## INSTALLATION INSTRUCTIONS

### ALTERNATIVE MOUNTING METHOD (for top of glass door)

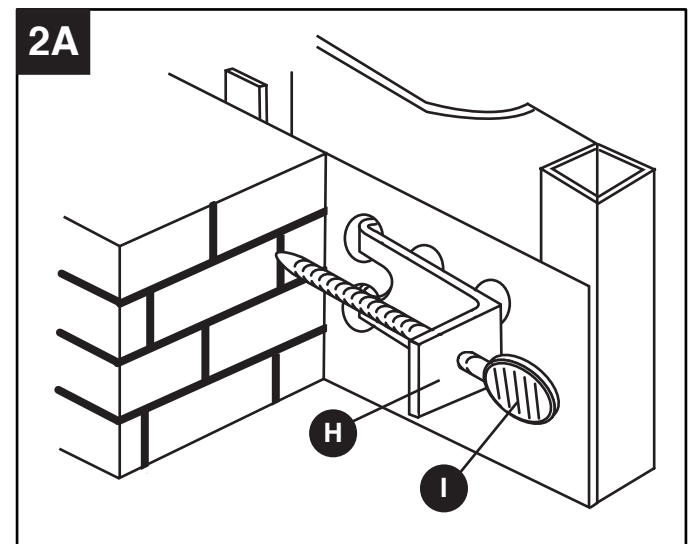
#### ADDITIONAL TOOLS REQUIRED:

Electric Drill, 7/32" High Speed Steel Bit, Pencil, and Safety Glasses

**1A.** There are two slotted brackets attached to the back of the glass door frame (at the top). Attach a Key Bracket (E) to each of the slotted brackets as in Figure 1A. Place the glass door against the fireplace opening, center it, and mark the lintel bar through the slots in the Key Brackets (2 places). (A second person may be necessary to hold the door tightly against the fireplace opening.) Remove the glass door and drill a 7/32" hole at each location marked. (Wear your safety glasses while drilling.) Place the glass door against the fireplace opening and align the holes with the slot in each Key Bracket (E). Use 1/4-20 x 1/2" Thread Cutting Screws (B) to attach both Key Brackets to the lintel bar.



**2A.** Insert 1/4-20 x 3 1/2" Thumbscrew (I) into Pressure Bracket (H). Insert Pressure Bracket (H) into the pair of holes closest to the side of the fireplace opening. Making sure the Thumbscrew (I) is pointing towards the sidewall of the fireplace, tighten the Thumbscrew (I) into the wall. Repeat on opposite end.





## CARE AND MAINTENANCE

---

### **Cleaning the Glass:**

Do not clean glass panels when they are hot! Cleaning the glass while it is hot may cause the glass to break. Clean the glass with a mild solution of household ammonia and water. Do not use scouring pads, glass wax, oil based cleaners, or scrapers. If you wish to remove the doors for cleaning, allow panels to cool and follow the instructions for "Removing the Glass Doors".

### **Cleaning the Metal Frame and Trim:**

Do not use solvent, paint thinner, or abrasive cleaners. The metal frame and trim are powder coated to resist tarnishing from the heat. Discoloration may occur as a result of large fires or by having the wood grate too close to the doors. Fingerprints or light marks on the frame are easily removed using rubbing alcohol and a dry, smooth cloth.

## ONE YEAR LIMITED WARRANTY

---

### **ONE YEAR LIMITED WARRANTY**

If within one year from the date of original purchase, this item fails due to a defect in material or workmanship, we will replace or repair at our option, free of charge. To order parts or to obtain warranty service, call 1-877-447-4768, Monday - Friday, 8:30 a.m. - 4:30 p.m. CST. This warranty does not cover defects resulting from improper or abnormal use, misuse, accident, or alteration. Failure to follow all instructions in the owner's manual will also void this warranty. GHP Group, Inc. will not be liable for incidental or consequential damages. Some states do not allow the exclusion or limitation of incidental or consequential damages, so the above limitation or exclusion of incidental or consequential damages may not apply to you. This warranty gives you specific legal rights and you may also have other rights which vary from state to state.

GHP Group, Inc. • 6440 W. Howard St. • Niles, IL 60714-3302 • [www.ghpgroupinc.com](http://www.ghpgroupinc.com)



## PORTE EN VERRE DE FOYER

### Manuel du propriétaire **AVERTISSEMENT !**

***Ne jamais fermer les portes en verre foyer tandis qu'un feu brûle dans la foyer !***

Ce Porte en verre de foyer est prévu pour être monté uniquement **sur un foyer en maçonnerie**.  
**NE PAS** utiliser ce porte en verre avec un foyer préfabriqué.

#### **Pour déterminer le type de foyer :**

- A. Foyer en maçonnerie construit avec briques et mortier avec une cheminée en briques.
- B. Foyer préfabriqué avec une chambre de combustion en métal et un conduit de cheminée en tôle.

Un foyer préfabriqué, appelé aussi un foyer non soumis aux normes de dégagement aura besoin d'un autre type de porte en verre. Ne pas oublier que même si les porte en verre semblent interchangeables, ils ne le sont pas ! Si votre foyer est préfabriqué à l'usine, **NE PAS** utiliser ce porte. Vérifier la marque et le numéro de modèle du foyer préfabriqué et consulter son marchand pour trouver le porte en verre approprié.

*Placer la grille à au moins 7 pouces (18 cm) du treillis. Un grand feu ou placer la grille trop près du cadre de la porte en verre peut causer une décoloration.*

**Ne JAMAIS essayer d'utiliser le foyer avant d'avoir lu et compris les Directives de Sécurité qui aideront à empêcher des blessures ou des dommages.**

***S'il vous plaît vérifiez auprès de votre mairie ou code municipal avant d'installer cette porte en verre de foyer.***

#### **CONSERVER CE MANUEL POUR UTILISATION ULTÉRIEURE**

NUMÉRO DU MODÈLE : \_\_\_\_\_ TAILLE : \_\_\_\_\_

NOM DU MODÈLE : \_\_\_\_\_

(Ces informations se trouvent sur le bordereau de vente et/ou sur l'étiquette de la boîte).



6440 W. Howard St.  
Niles, IL 60714-3302  
Tel: (847) 324-5900  
Fax: (847) 583-0890  
Toll Free: (877) GHP Group  
(877) 447 - 4768

Des questions, des problèmes, des pièces manquantes? Avant de retourner l'article au détaillant, appelez notre service à la clientèle au 1-877-447-4768, 08:30-16 heures 30, HNC, du lundi - vendredi.

10-10-559  
REV. 01/30/2018

## TABLE DES MATIÈRES

Consignes de sécurité.....	11
Contenu de l'emballage.....	12
Instructions pour l'assemblage.....	13
Entretien.....	18
Garantie.....	18

### **! DIRECTIVES DE SÉCURITÉ** **CONSERVER CE MANUEL**

Assurez-vous de lire et de comprendre l'intégralité de ce manuel avant de tenter d'assembler, d'utiliser ou d'installer le produit. Si vous avez des questions concernant ce produit, veuillez téléphoner au service à la clientèle au 1-877-447-4768, 08:30-16 heures 30, HNC, du lundi - vendredi.

- 1. NE JAMAIS S'ABSENTER PENDANT QU'IL Y A DU FEU.**
- 2. NE JAMAIS FERMER LES PORTES EN VERRE DU FOYER PENDANT QU'IL Y A DU FEU DANS LE FOYER.** Une température excessive dans le foyer peut faire éclater les portes en verre et causer des blessures et des dommages. Verre trempé ne signifie pas verre incassable. Dans le cas peu probable de défaillance, le verre se brisera en petits morceaux pour réduire les risques de blessures et de dommages.
3. Toujours vérifier que le registre est bien ouvert avant de faire du feu et pendant l'utilisation pour éviter que la fumée se répande dans la pièce. Toujours utiliser le bouton de commande du registre situé au fond du pare-feu pour régler le tirage et l'intensité du feu.
4. Toujours placer la grille à bois proche du fond du foyer et à pas moins de 7 pouces (18 cm) du treillis métallique ou du pare-feu. Ne jamais faire un trop grand feu pour garantir la sécurité du foyer. Toujours garder les matériaux combustibles à pas moins de 3 pieds (1 m) du foyer en cours d'utilisation.
5. Ne jamais mettre de substance volatile dans le foyer. Toujours s'assurer qu'aucun liquide volatile comme essence, allumoir, essence pour briquets, carburant pour lanterne ou kérosène ne se trouve près du devant du foyer. Ne pas utiliser autre chose que du petit bois ou un allume-feu préemballé pour faire partir le feu.
6. Toujours fermer complètement le treillis métallique ou le pare-feu quand on utilise le foyer, sauf pour ajouter du bois. Un treillis ou un pare-feu fermé agit comme barrière de sécurité contre les étincelles.
7. Toujours surveiller les enfants et les animaux quand il y a du feu dans le foyer et les garder à une distance sécuritaire pour éviter les brûlures accidentelles. Pour éviter les brûlures, toujours porter un gant isotherme avant de toucher les boutons de commande du registre, les poignées de la porte, le treillis métallique ou le pare-feu, les portes en verre ou le cadre des portes quand il y a du feu dans le foyer.
8. Ne jamais utiliser le foyer pour brûler des ordures, des journaux, des matériaux qui peuvent relâcher des fumées toxiques.
9. S'assurer que de l'eau froide ou des substances froides ne touchent pas les portes du foyer avant qu'elles se soient complètement refroidies, le verre pourrait se briser.
10. Ne jamais jeter les cendres tant qu'elles ne sont pas complètement froides. Les cendres chaudes peuvent causer un incendie. Toujours utiliser le portillon de nettoyage du foyer (si présent) pour enlever les cendres et toujours utiliser un conteneur en métal par mesure de sécurité.

**AVERTISSEMENT :** Lire soigneusement ce manuel tout entier avant de commencer à installer ce porte en verre. Voir aussi le tableau ci-dessous pour confirmer que l'on a bien acheté le porte en verre correct pour l'ouverture de son foyer.

**NOTE :** Ce porte en verre est conçu pour être monté à la surface, avec un chevauchement, de l'extérieur de l'ouverture du foyer. Cet article couvre une gamme de tailles.  
**(Voir le tableau ci-dessous.)**

Taille	Dimensions totales de porte	Va dans les ouvertures	
		Largeur	Hauteur
Petit	37.5 po. x 30 po. * (95,3 cm x 76,2 cm)	30 po.-37 po. (76,2 cm-94 cm)	22.5 po.-29.5 po.* (57,2 cm-74,9 cm)
Moyen	37.5 po. x 33 po.* (95,3 cm x 83,8 cm)	30 po.-37 po. (76,2 cm-94 cm)	25.5 po. - 32.5 po.* (64,8 cm-82,6 cm)
Grand	43.5 po. x 33 po.* (110,5 cm x 83,8 cm)	36 po.-43 po. (91,4 cm-109,2 cm)	25.5 po.-32.5 po.* (64,8 cm-82,6 cm)

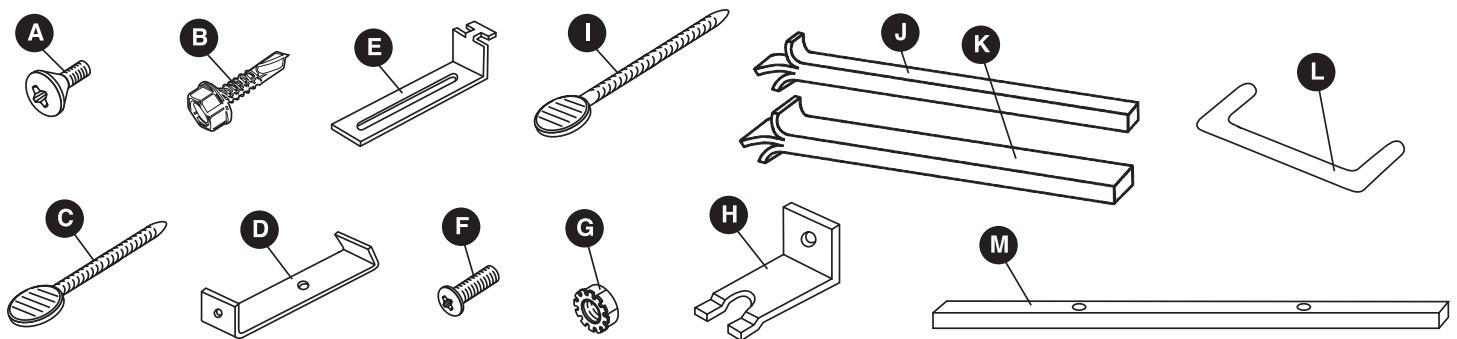
\* La hauteur comprend une rehausse de 2 po. (5,1 cm), (non assemblée). Voir les instructions d'assemblage pour plus de détails.

## (Tableau des tailles pour les portes en verre Carson seulement)

Taille	No. UGS	Style	Dimensions totales*	Va dans les ouvertures	
				Largeur	Hauteur*
1	CN-1001	Style pliant	37,5 po. x 26 po. (95,3 cm x 66 cm)	30 po.-37 po. (76,2 cm-94 cm)	22,5 po.-25,5 po. (57,2 cm-64,8 cm)
2	CN-1002	Style pliant	37,5 po. x 29 po. (95,3 cm x 73,7 cm)	30 po.-37 po. (76,2 cm-94 cm)	25,5 po.-28,5 po. (64,8 cm-72,4 cm)
3	CN-1003	Style pliant	37,5 po. x 32 po. (95,3 cm x 81,3 cm)	30 po.-37 po. (76,2 cm-94 cm)	28,5 po.-31,5 po. (72,4 cm-80 cm)
4	CN-1004	Style pliant	43,5 po. x 29 po. (110,5 cm x 73,7 cm)	36 po.-43 po. (91,4 cm-109,2 cm)	25,5 po.-28,5 po. (64,8 cm-72,4 cm)
5	CN-1005	Style pliant	43,5 po. x 32 po. (110,5 cm x 81,3 cm)	36 po.-43 po. (91,4 cm-109,2 cm)	28,5 po.-31,5 po. (72,4 cm-80 cm)

\*La hauteur comprend une rehausse de 2 po. (5,1 cm), (non assemblée). Voir les instructions d'assemblage pour plus de détails.

## CONTENU DE L'EMBALLAGE



PIÈCE	DESCRIPTION	QTÉ.	NO. DE PIÈCE
A	Vis à métaux 1/4-20 X 1/4 po.	2	10-09-115
B	Vis autotaraudeuse 1/4-20 X 1/2 po.	2	10-09-116
C	Vis de serrage de 1/4-20 X 2 po. (pour la pince de linteau)	2	10-09-117
D	Pince de linteau	2	10-04-122
E	Support clé	2	10-04-123
F	Vis à métaux 8-32 x 5/8 po. (seulement pour l'ensemble rehausseur)	2	10-09-118
G	Écrou hexagonal 8-32 (uniquement pour l'ensemble rehausseur)	2	10-09-119
H	Support pression	2	10-04-124
I	Vis à oreilles de 1/4-20 X 3 1/2 po. (pour le support pression)	2	10-09-120
J&K	Isolant en fibre de verre (3 po. x 2 po. [7,6 x 5,1 cm] de largeur)	1 Sac	10-06-100
L	Poignées avec vis	2	
M	Rehausseur	1	

Certaines parties et les spécifications peuvent changer sans préavis.

### OUTILS REQUIS :

Tournevis cruciforme et à lame plate, ciseaux, ruban de mesure et gants

### NEUTRALISEZ LE FOYER :

Les cheminées neuves contiennent souvent des résidus de l'acide utilisé pour la construction. Si on le laisse dans les pores des briques, cet acide émettra un gaz qui rouille le fer et les grilles, corrode ou fait des taches rouges. Si le constructeur n'a pas neutralisé le foyer, suivre ces instructions avant d'installer le porte

1. Brosser les surfaces en brique, pierre ou ciment du foyer avec une solution douce d'ammoniaque ordinaire.
2. Enlever toute la solution neutralisante en rinçant soigneusement à l'eau tiède puis rincer plusieurs fois à l'eau froide.

## INSTRUCTIONS POUR L'ASSEMBLAGE

Enlever tous les articles de la boîte et placer le porte en verre sur une surface rembourrée plate pour éviter d'abîmer la finition. Toujours soulever le porte par les côtés, pas par le dessus. Vérifier que toutes les pièces sont présentes en utilisant la liste des pièces. **Nous contacter au 877.447.4768 s'il manque une pièce.**

**ATTENTION :** Avant d'installer le porte en verre, s'assurer que le foyer est froid.

1. Monter les poignées de la porte (L) sur les portes en verre (gauche et droite) en utilisant les vis fournies avec les poignées.

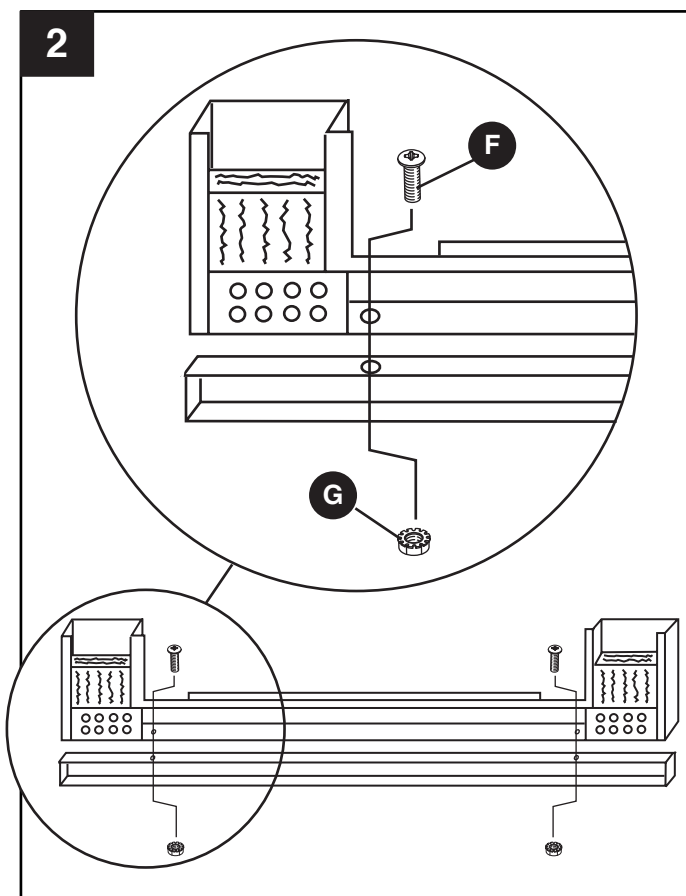
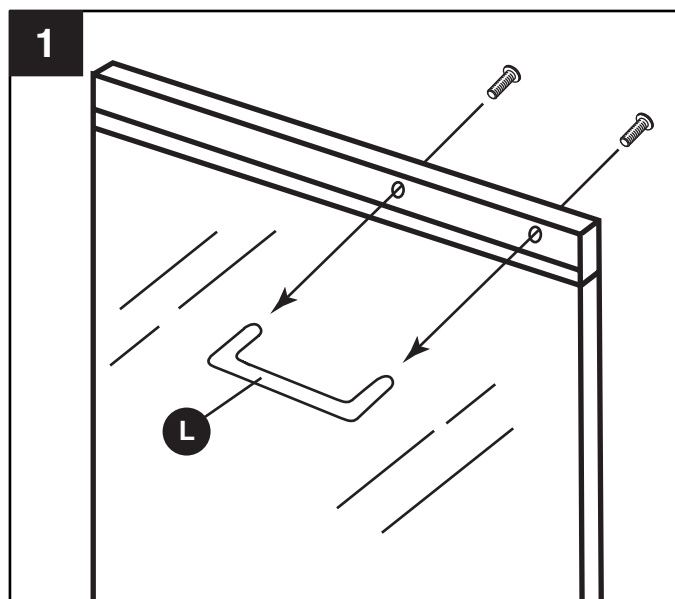
### 2. REMARQUE : Ne peut pas être nécessaire!

La hauteur réelle du cadre (montré à la page 11) comprend un rehausseur de 2 pouces (5,1 cm). Si la hauteur de l'ouverture du foyer est égale à l'une des dimensions notées ci-dessous, NE PAS ATTACHER LE REHAUSSEUR :

Taille	Hauteur de l'ouverture
Petit	27 3/4 po. (70,5 cm) ou moins
Moyen	30 3/4 po. (78,1 cm) ou moins
Grand	30 3/4 po. (78,1 cm) ou moins

Quand le rehausseur est nécessaire, placer le porte tourné vers le bas sur une surface rembourrée plate. Fixer le rehausseur avec deux (2) vis à métaux de 8-32 x 5/8 po. (F) et deux (2) écrous hexagonaux (G) comme indiqué à la Figure 2. Prendre garde à se protéger les mains si les bordures métalliques sont coupantes. Les bordures arrière du rehausseur et celles du bas du cadre doivent être à niveau. Dans certains cas, le rehausseur dépassera du devant du cadre ce qui est correct.

**REMARQUE :** Si le cadre n'a pas besoin d'un rehausseur, on peut jeter les vis (F) et les écrous (G).

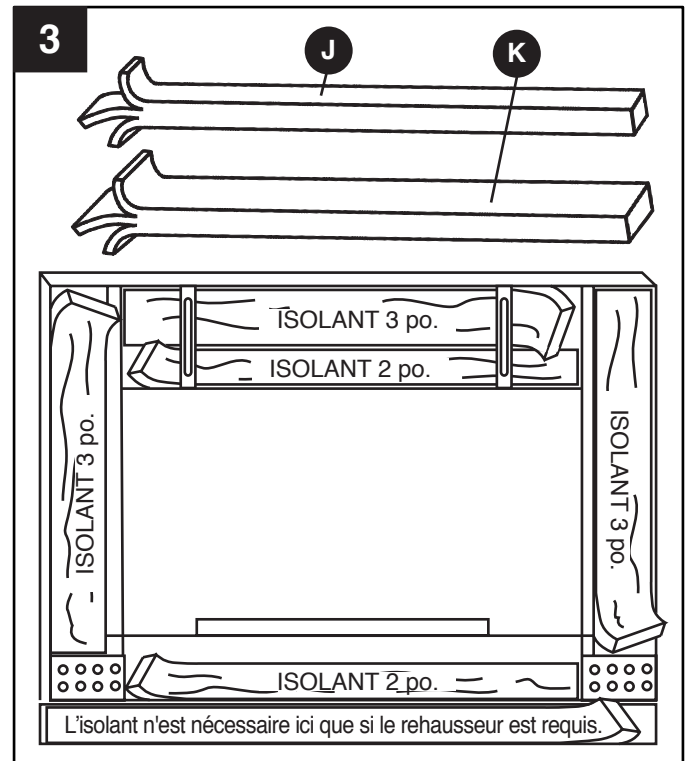


## INSTRUCTIONS POUR L'ASSEMBLAGE

### 3. REMARQUE : L'isolant en fibre de verre peut irriter la peau. Toujours porter des gants quand on le manipule.

L'isolant en fibre de verre fourni résiste à la chaleur. Certains modèles peuvent laisser l'isolant exposé à l'intérieur du foyer. C'est normal et ne doit pas causer de soucis. La fibre de verre est conçue pour protéger la finition métallique du cadre. Chaque pièce en fibre de verre de 3 po. et 2 po. (7,6 cm et 5,1 cm) (J & K) se sépare en trois bandes en la pelant à partir d'une extrémité comme indiqué à la Figure 3. Mesurer toutes les dimensions des canaux arrières sur votre porte en verre. Couper l'isolant à la longueur avec des ciseaux et placer dans la rainure arrière du haut et dans la rainure arrière latérale.

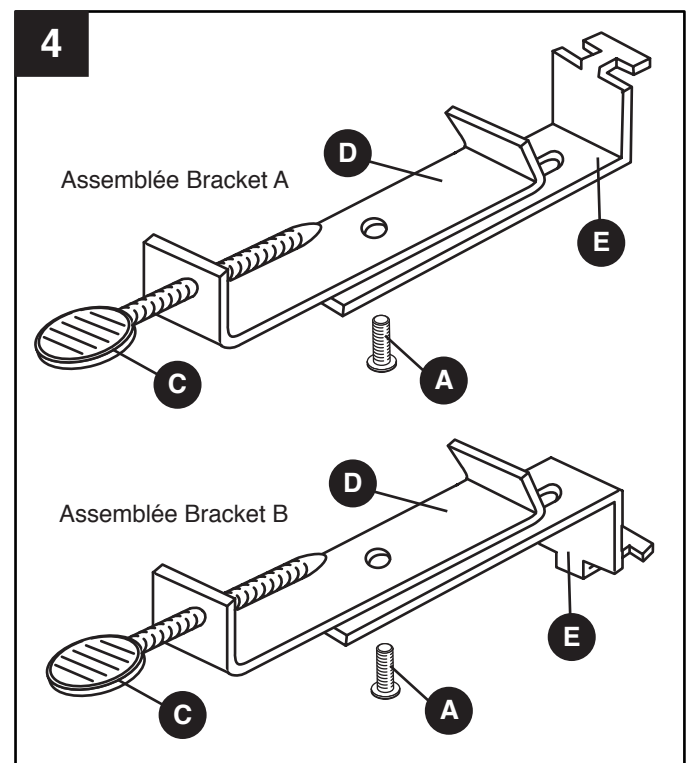
REMARQUE : L'isolant n'a pas besoin de remplir les rainures jusqu'au fond. Si on désire plus d'isolant, on peut acheter au centre de rénovation local.



### 4. La barre de linteau est la cornière en forme de L qui supporte les briques le long du dessus de l'ouverture du foyer. Cette barre a été incorporée dans le foyer en maçonnerie à sa construction. Mesurer la barre de linteau. Si la barre de linteau mesure moins de 3 po. (7,6 cm) ou plus de 4 po. (10,2 cm) de largeur, voir les Instructions pour une autre méthode de montage (Page 17) et sauter les étapes 4 à 6 de cette section.

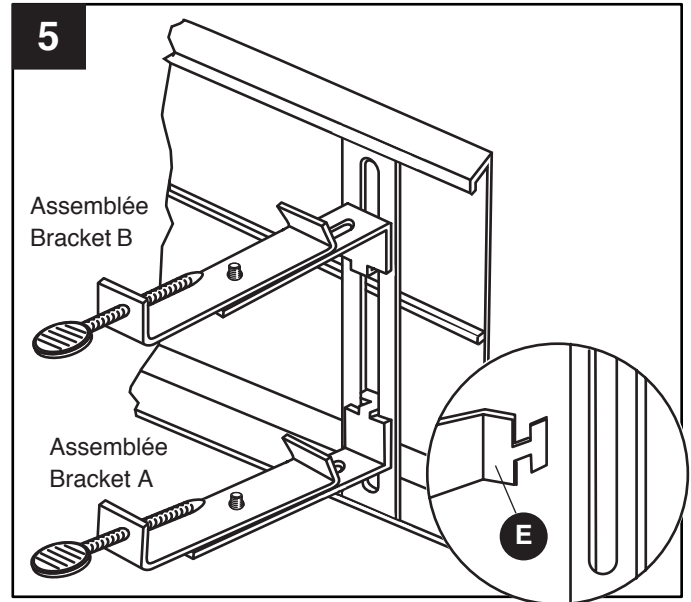
Afin de déterminer l'assemblage du support approprié pour votre cheminée, mesurer la distance entre le bas de la barre Linteau au fond de la cheminée. Utilisez cette mesure pour déterminer où la barre Linteau s'alignent avec les crochets à fente sur le dos de votre cadre. Si la mesure atteint le haut de la fente entre parenthèses, suivi de l'Assemblée Bracket A. Si la mesure n'est pas la même hauteur que les supports à fente, suivi de l'Assemblée Bracket B.

Monter le support clé (E) à la pince de linteau (D) avec la vis à métaux 1/4-20 x 1/4 po. (A). Ne pas serrer. Faire passer la Vis de serrage de 1/4-20 X 2 po. dans la pince de linteau. Ne pas serrer.

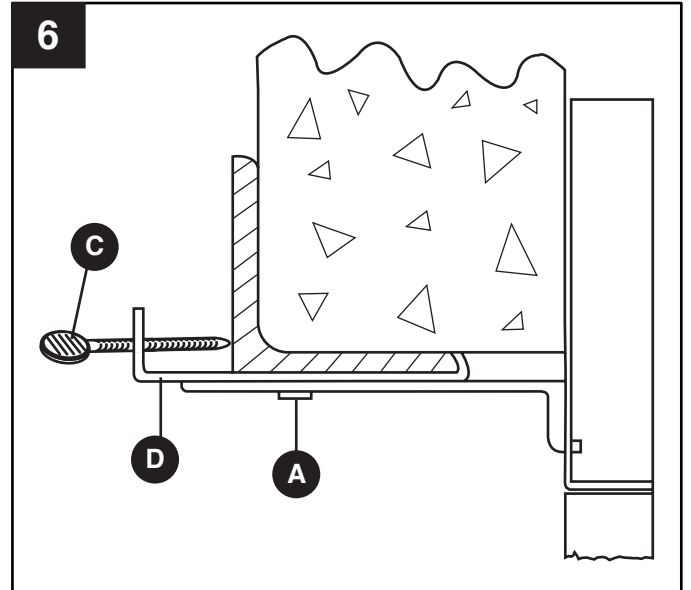


## INSTRUCTIONS POUR L'ASSEMBLAGE

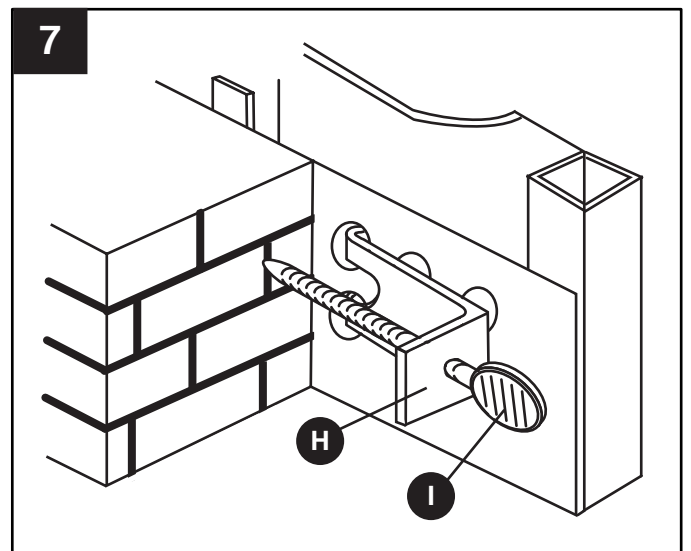
5. Placer la tête T du support clé dans le support rainuré au dos du porte comme à la encart et tourner l'ensemble support en position horizontale comme indiqué à la Figure 5. Recommencer pour le côté opposé.



6. Placer le porte en verre au centre de l'ouverture du foyer. (Il faudra peut-être une deuxième personne pour bien tenir le porte contre l'ouverture du foyer). Aller à l'intérieur et faire glisser la pince de linteau (D) vers l'avant ou vers l'arrière jusqu'à ce que la lèvre de la pince de linteau (D) soit fermement contre la barre de linteau. Serrer les vis à métaux (A). Vérifiant que le porte est contre le foyer, serrer la vis à oreilles (C) jusqu'à ce que le pare-feu soit bien fixé au dessus comme indiqué à la Figure 6. Recommencer pour le côté opposé.

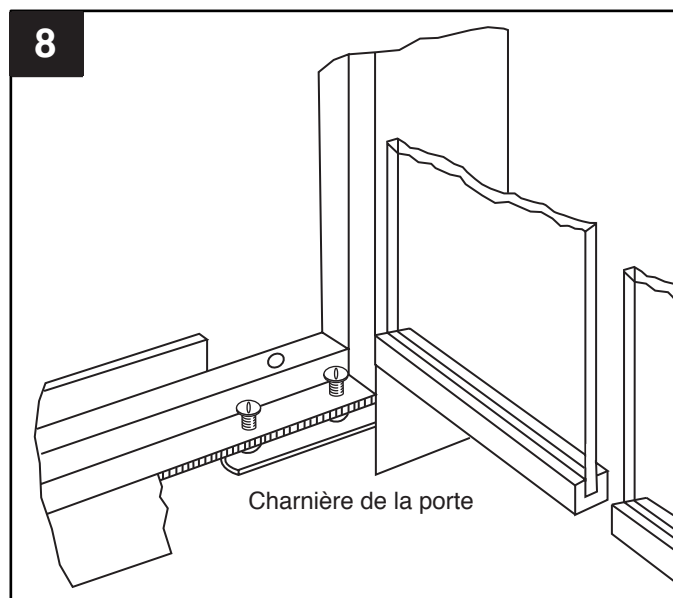


7. Insérer la vis à oreilles de 1/4-20 X 3 1/2 po. (I) dans le support pression (H). Insérer le support pression dans les deux trous les plus proches du côté de l'ouverture du foyer avec la vis à oreilles (I) pointant vers le mur latéral du foyer. Visser la vis à oreilles (I) dans le mur. Recommencer pour le côté opposé.

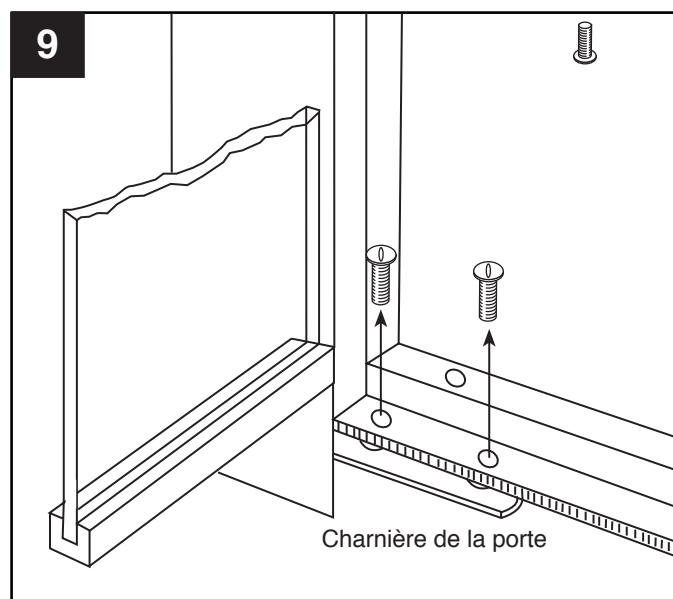


## INSTRUCTIONS POUR L'ASSEMBLAGE

8. Il y a quatre charnières de panneau de porte (deux dans la rainure supérieure et deux dans la rainure inférieure) Les charnières du panneau de la porte sont conçues pour être réglables. Si les panneaux de la porte ne sont pas bien alignés ou s'il y a un trop grand espace entre les centres des panneaux (quand ils sont fermés), on peut les régler comme suit : Ouvrir les panneaux de la porte. Relâcher les vis de la charnière du panneau. **Ne pas enlever les vis.** Faire glisser les charnières du panneau de la porte à gauche ou à droite jusqu'à ce que l'espace entre le centre des panneaux de la porte soit égal comme à la Figure 8. Remettre les panneaux à leur position originelle. Garder soigneusement la charnière du panneau en position et serrer les vis.



9. Enlever les portes en verre, Ouvrir les panneaux de la porte. Enlever les vis de charnière du panneau des charnières du haut et du bas comme indiqué à la Figure 9. Enlever le(s) panneau(x) de la porte.



**REMARQUE :** Dans certains modèles un rehausseur est fourni avec deux groupes de trous (haut et bas) Pour bien mettre à niveau, utiliser les trous du haut ou du bas, suivant ce qui convient au cadre. Ne pas oublier que bien affleurer signifie que les bords arrière du rehausseur et les bords arrière du cadre inférieur sont au même niveau. Dans certains cas le rehausseur dépassera du devant du cadre ce qui est correct.



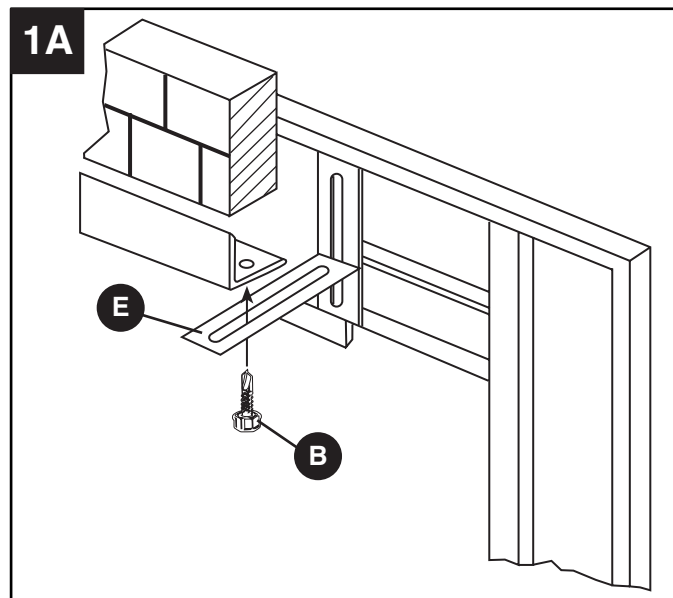
## INSTRUCTIONS POUR L'ASSEMBLAGE

### AUTRE MÉTHODE DE MONTAGE (Pour le dessus de la porte en verre)

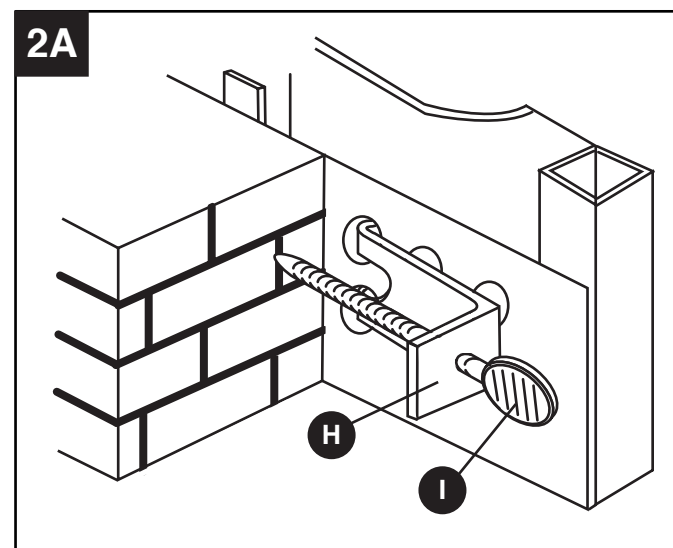
#### OUTILS SUPPLÉMENTAIRES REQUIS :

Perceuse électrique, foret en acier haute vitesse de 7/32 po., crayon et lunettes de sécurité

**1A.** Il y a deux supports rainurés fixés au dos du cadre de la porte en verre (sur le dessus). Fixer un support clé (E) à chaque support rainuré comme à la Figure 1A. Placer la porte en verre contre l'ouverture du foyer, la centrer et marquer la barre de linteau aux travers des fentes dans les supports clés (2 places). (Il faudra peut-être une deuxième personne pour tenir la porte tout contre l'ouverture du foyer). Enlever la porte en verre et percer un trou de 7/32 po. (5,5 mm) à chaque emplacement marqué. (Porter des lunettes de sécurité pendant qu'on utilise la perceuse). Placer la porte en verre contre l'ouverture du foyer et aligner les trous avec la fente dans chaque support clé (E). Utiliser les vis autotaraudeuses de 1/4-20 x 1/2 po. B) pour attacher les deux supports clés à la barre linteau.



**2A.** Insérer la vis de serrage de 1/4-20 X 3 1/2 po. (I) dans le support pression (H). Insérer le support pression dans les deux trous les plus proches du côté de l'ouverture du foyer avec la vis de serrage (I) pointant vers le mur latéral du foyer. Visser la vis de serrage (I) dans le mur. Recommencer pour le côté opposé.



## ENTRETIEN

---

### **Nettoyage du verre :**

Ne pas nettoyer les panneaux en verre quand ils sont chauds ! Nettoyer le verre quand il est chaud peut le faire casser. Nettoyer le verre avec une solution douce d'ammoniaque ordinaire et d'eau. Ne pas utiliser de tampons à récurer, de cire à verre, de produits nettoyants à base d'huile ou des grattoirs. Si on désire enlever les portes pour les nettoyer, laisser d'abord refroidir et suivre les instructions sur « Enlever les portes en verre ».

### **Nettoyer le cadre en métal et les garnitures :**

Ne pas utiliser de solvant, de dilueur pour peinture ou de produits abrasifs. Le cadre en métal et les garnitures ont un revêtement en poudre que la chaleur ne ternit pas. Une certaine coloration peut se produire en cas de grands feux ou si la grille à bois est trop proche de la porte. On peut enlever facilement les marques de doigts ou autres marques légères sur le cadre avec un chiffon sec et souple et de l'alcool à friction.

## GARANTIE LIMITÉE D'UN AN

---

### **GARANTIE LIMITÉE D'UN AN**

Si pendant un an à partir de la date d'achat originelle cet article ne fonctionne pas du fait d'un défaut de matériau ou de façon, nous le remplacerons ou le réparerons, à notre choix, gratuitement. Pour commander des pièces ou pour faire jouer la garantie, appelez le 1-877-447-4768, Lundi-Vendredi, 8 h 30 – 16 h 30 CST. Cette garantie ne couvre pas les défauts provenant d'une utilisation incorrecte ou anormale, de mésusage, d'un accident ou d'une altération. Ne pas suivre toutes les instructions du manuel du propriétaire annule aussi la garantie. Le Groupe GHP ne sera pas responsable des dommages accessoires et indirects. Certains États ne permettent pas l'exclusion ou la limitation des dommages accessoires ou indirects. Les limites ou exclusions ci-dessus peuvent donc ne pas s'appliquer à vous. Cette garantie vous octroie des droits légaux spécifiques et vous pouvez aussi posséder d'autres droits qui varient d'État à État.

GHP Group, Inc. • 6440 W. Howard St. • Niles, IL 60714-3302 • [www.ghpgroupinc.com](http://www.ghpgroupinc.com)

GHP Group, Inc. • 8280 Austin Avenue • Morton Grove, IL 60053



*Residential  
Retreat*

## Chimenea Puerta de Vidrio

### Manual del Propietario

## ¡ADVERTENCIA!

***¡Nunca se cierran las chimenea puertas de vidrio, mientras que el fuego está ardiendo en la chimenea!***

Esta puerta de vidrio está destinada únicamente para instalación en **chimenea de mampostería**. **NO UTILICE** esta pantalla de vidrio en una chimenea prefabricada.

#### Existen dos tipos de chimenea:

- A. La chimenea de mampostería construída con ladrillo y argamasa, que posee chimenea de ladrillo.
- B. La chimenea prefabricada que posee tiro de metal con chimenea construída con tubería metálica.

Una chimenea prefabricada, también llamada Zero Cleaning, utilizará un tipo diferente de puerta de vidrio. Tenga en cuenta que, aunque le pueda parecer que las puertas son intercambiables, lo cierto es que no lo son. Si su chimenea es prefabricada, **no utilice** esta pantalla. Consiga el número de modelo y fabricación de su chimenea prefabricada y consulte con su distribuidor si desea más información.

*Coloque la rejilla de la leña por lo menos a 7" detras del alambre de la pantalla. La descoloración puede ocurrir como resultado de un fuego grande o de colocar la rejilla muy cerca del marco de puerta de vidrio.*

**No intente NUNCA usar la chimenea hasta que haya leído y comprendido las siguientes medidas de seguridad, para evitar posibles daños tanto a usted como a su propiedad.**

***Por favor, consulte con su ciudad o código municipal antes de instalar esta chimenea puerta de vidrio.***

#### CONSERVE ESTE MANUAL PARA FUTURAS REFERENCIAS

MODELO NÚM.: \_\_\_\_\_ TAMAÑO: \_\_\_\_\_

NOMBRE MODELO: \_\_\_\_\_

(Esta información aparece reflejada en su resguardo de compra y/o etiqueta de la caja)



6440 W. Howard St.  
Niles, IL 60714-3302  
Tel: (847) 324-5900  
Fax: (847) 583-0890  
Toll Free: (877) GHP Group  
(877) 447 - 4768

¿Preguntas, problemas, piezas faltantes? Antes de volver a la tienda, llame a nuestro Departamento de Servicio al Cliente al 1-877-447-4768, de 8:30 am - 4:30 pm, hora central, de lunes - viernes.

10-10-559  
REV. 01/30/2018

## INDICE

Informacion de seguridad.....	20
Contenido del paquete.....	21
Instrucciones de ensamblaje.....	22
Cuidado y mantenimiento.....	27
Garantía.....	27

## ! INFORMACION DE SEGURIDAD

## CONSERVE ESTE MANUAL

Lea y comprenda completamente este manual antes de intentar ensamblar, usar o instalar el producto. Si tiene preguntas relacionadas con el producto, llame al Servicio al Cliente al: 1-877-447-4768, de 8:30 am - 4:30 pm, hora central, de lunes - viernes.

- 1. NO DEJE NUNCA DESATENDIDA LA CHIMENEA CUANDO ESTÉ EN FUNCIONAMIENTO.**
- 2. NO CIERRE NUNCA LAS CHIMENEA PUERTAS DE VIDRIO MIENTRAS ESTÉ PRENDIENDO FUEGO LA CHIMENEA.** Las temperaturas excesivamente elevadas en la chimenea pueden provocar que estallen las puertas de vidrio y dañen su persona o a su propiedad. Un vidrio templado no implica que sea irrompible. En el caso poco probable de que fallase el vidrio, éste se romperá en diminutos trocitos para reducir el riesgo de daño hacia su persona o a su propiedad.
3. Confirme siempre que el regulador de la chimenea se encuentre abierto antes de encender un fuego y cuando esté funcionando la chimenea, para que el humo no escape al cuarto. Utilice siempre los botones de regulación que se encuentran en la parte inferior de la chimenea para ajustar el nivel y la intensidad del fuego.
4. Posicione siempre la parrilla de la leña de modo que permanezca pegada a la parte posterior de la pared del tiro de metal y al menos a 7" de la malla o cortina metálica. No haga nunca un fuego demasiado grande para una utilización segura de su chimenea. Mantenga siempre todo material combustible al menos 3' de distancia de la chimenea cuando se esté utilizando.
5. No sitúe nunca ninguna sustancia volátil en la chimenea. Compruebe siempre no dejar nunca cualquier líquido volátil cerca de la chimenea como gasolina, carbón vegetal, líquido encendedor, combustible de un farol o querosene Solo utilice los materiales adecuados o aquellos que vengan empaquetados previamente para encender el fuego.
6. Mantenga siempre cerrada completamente la malla o pantalla metálica cuando la chimenea se esté utilizando, excepto cuando añada leña al fuego. La malla o pantalla, cuando está cerrada, actúa como protector para las chispas.
7. Vigile siempre a los niños y a las mascotas cuando la chimenea esté funcionando y manténgalos a una distancia segura para evitar que se quemen de manera accidental. Para prevenir quemaduras, póngase siempre guantes aislantes (mitones) antes de manipular los botones de regulación, las manillas de la puerta, la malla o pantalla metálica, las puertas de vidrio o los marcos cuando la chimenea esté funcionando.
8. No utilice nunca la chimenea para quemar basura, periódicos, o desperdicios, que puedan provocar gases tóxicos.
9. No deje nunca que el agua fría u otras sustancias entren en contacto con las puertas de la chimenea antes de que se hayan enfriado completamente ya que pudiese estallar el vidrio.
10. No intente nunca manipular las cenizas hasta que se hayan enfriado por completo, ya que las cenizas calientes suponen una fuente potencial de ignición. Utilice siempre la puerta de limpieza (si está provista de ella) para extraer las cenizas, para mayor seguridad emplee siempre un recipiente metálico.

**ADVERTENCIA:** Lea cuidadosamente todo el manual antes de empezar la instalación de su puerta de vidrio. Por favor, también chequee el diagrama siguiente para estar seguro que Ud ha comprado la correcta puerta de vidrio para el hueco de su chimenea.

**NOTA:** Esta puerta de vidrio está diseñada para montar en superficie, con una superposición, en la parte exterior del hueco de la chimenea. Esta unidad abarca una serie de tamaños. **(Ver diagrama a continuación.)**

Tamaño	Dimensiones Totales de las Puertas	Se Adapta Abertura de la Chimenea	
	Anchura x Altura	Anchura	Altura
Pequeño	37.5" x 30" *	30" - 37"	22.5" - 29.5" *
Mediano	37.5" x 33" *	30" - 37"	25.5" - 32.5" *
Grande	43.5" x 33" *	36" - 43"	25.5" - 32.5" *

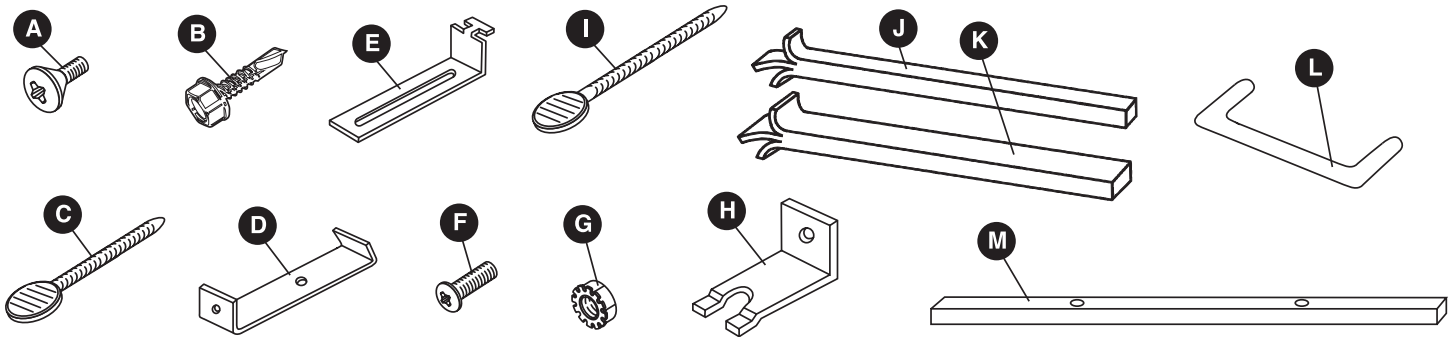
\*La altura incluye una barra de 2" (no montada), Vea siguientes procedimientos para detalles del montaje.



**(Tabla de tamaños para las puertas de vidrio Carson solamente)**

Tamaño	No. SKU	Estilo	Dimensiones Totales*	Se Adapta Abertura de la Chimenea	
				Anchura	Altura*
1	CN-1001	Estilo plegable	37.5" x 26.0"	30.0" - 37.0"	22.5" - 25.5"
2	CN-1002	Estilo plegable	37.5" x 29.0"	30.0" - 37.0"	25.5" - 28.5"
3	CN-1003	Estilo plegable	37.5" x 32.0"	30.0" - 37.0"	28.5" - 31.5"
4	CN-1004	Estilo plegable	43.5" x 29.0"	36.0" - 43.0"	25.5" - 28.5"
5	CN-1005	Estilo plegable	43.5" x 32.0"	36.0" - 43.0"	28.5" - 31.5"

\*La altura incluye una barra de 2" (no montada), Vea siguientes procedimientos para detalles del montaje.

**CONTENIDO DEL PAQUETE**



PIEZA	DESCRIPCIÓN	CANT.	PIEZA NÚM.
A	1/4-20 X 1/4" Tornillo de máquina	2	10-09-115
B	1/4-20 X 1/2" Tornillo de rosca cortante	2	10-09-116
C	1/4-20 X 2" Empulgueras (para las abrazadera del dintel)	2	10-09-117
D	Abrazadera del dintel	2	10-04-122
E	Soporte	2	10-04-123
F	8-32 x 5/8" Tornillos de máquina (sólo para Montaje de barra)	2	10-09-118
G	8-32 Tuerca (sólo para montaje de barra)	2	10-09-119
H	Soporte de presión	2	10-04-124
I	1/4-20 X 3 1/2" Empulgueras (para soporte de Presion)	2	10-09-120
J&K	Aislante de fibra de vidrio (3" & 2")	1 Empaque	10-06-100
L	Manillas con tornillos	2	
M	Barra	1	

Algunas partes y especificaciones pueden cambiar sin previo aviso.

**HERRAMIENTAS NECESARIAS:**

Destornilladores cruciformes y planos, tijeras, cinta métrica y guantes

**NEUTRALIZAR LA CHIMENEA:**

Las chimeneas recién construidas contienen con frecuencia restos de ácido usados durante la construcción. Si se permite que permanezcan en los poros del ladrillo, este ácido liberará un gas que oxidará el hierro y dejará marcas o manchas rojas. Si su constructor no ha neutralizado la chimenea, siga estas instrucciones antes de instalar la puerta.

1. Cepille con una solución suave de amoníaco todo el ladrillo, la piedra o las superficies de cemento de su chimenea.
2. Limpie toda la solución neutralizante aclarando minuciosamente con agua templada seguido de varios aclarados en frío.

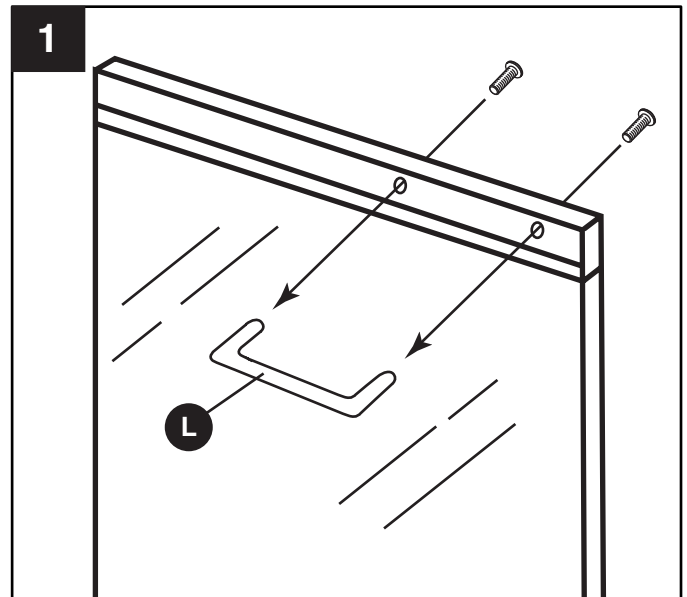
## INSTRUCCIONES DE ENSAMBLAJE

Extraiga el contenido de la caja y sitúe la pantalla de vidrio en una superficie plana y acolchada para evitar que se dañe el acabado. Agarre siempre la pantalla por los lados, nunca por el marco superior. Compruebe que tiene todos los cables y dispositivos electrónicos de la lista.

**Si le faltase alguno de ellos, por favor llame a GHP Servicio al Cliente al 1-877-447-4768.**

**!** **PRECAUCION:** Antes de instalar la pantalla, asegúrese de que la chimenea está fría.

1. Monte las manillas de la puerta (L) en las puertas de vidrio (montaje del lado izquierdo y derecho) usando los tornillos que se proveen junto con las manilas.



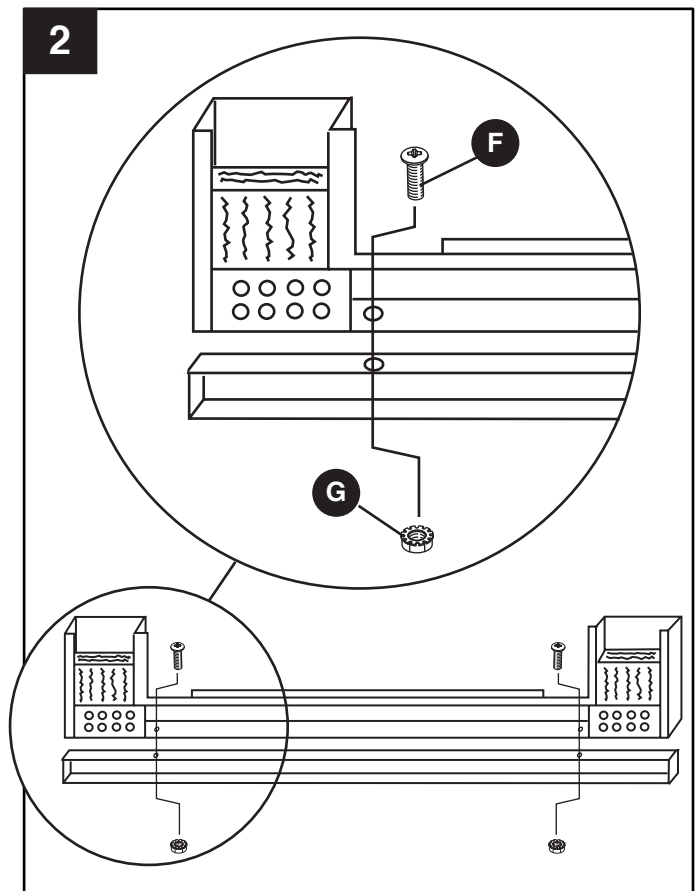
### 2. **NOTA: Puede no ser necesario!**

La altura real del marco (que se muestra en la página 20) incluye un barra de 2". Si el hueco de su chimenea alcanza las siguientes medidas, **NO INSTALE LA BARRA:**

Tamaño	Altura de Hueco
Pequeño	27 3/4" o menor
Mediano	30 3/4" o menor
Grande	30 3/4" o menor

Cuando se precise la barra, coloque la puerta boca abajo en superficie plana y acolchada. Ajuste la barra con dos (2) tornillos de máquina (F) 8-32 x 5/8" y dos (2) tuercas hexagonales (G) (ver dibujo 2). Tenga cuidado de no dañarse las manos con los bordes metálicos. Los bordes de atrás de la barra y los bordes de atrás de la base del marco podrían nivelarse. En algunos casos la barra sobresaldrá frente al ensamblaje del marco, lo que es normal.

NOTA: Si no es necesaria la barra, puede desechar los tornillos de máquina (F) y las tuercas (G).

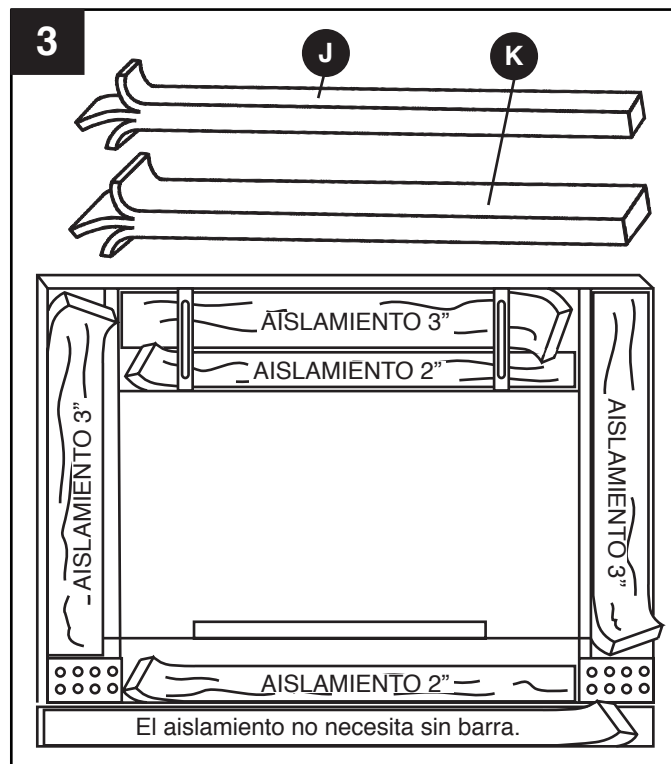


## INSTRUCCIONES DE ENSAMBLAJE

### 3. **NOTA: El aislamiento de la fibra de vidrio puede irritarle la piel. Lleve siempre guantes cuando maneje la fibra de vidrio.**

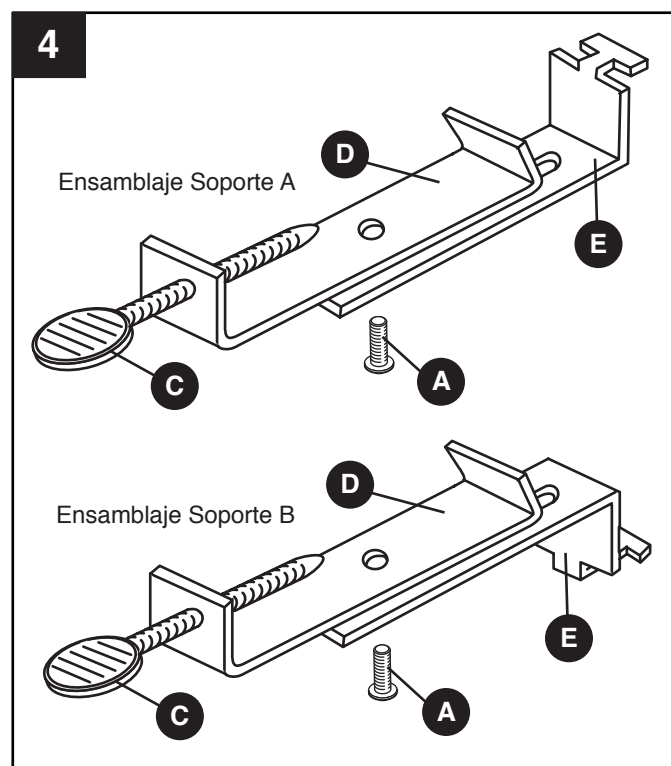
El aislante de fibra de vidrio que se provee es resistente al calor. Su modelo particular puede dejar algo de aislante expuesto en el interior de la chimenea. Esto es normal y no debería ser preocupación. Esta fibra de vidrio está diseñada para proteger el acabado metálico de su marco. Ambos el 3" y 2" fibra de vidrio (J y K) se separará en tres tiras pelando uno de los extremos. (Vea el dibujo 3). Medida de todas las dimensiones de los canales de vuelta en su puerta de vidrio. Corte el aislante a medida con unas tijeras y colóquelo en los canales de la parte superior trasera y lateral.

NOTA: El aislamiento no necesita llenar los canales a su profundidad completa. Si prefiere adicional aislamiento, puede comprarlo de su centro casero de mejoras del hogar.



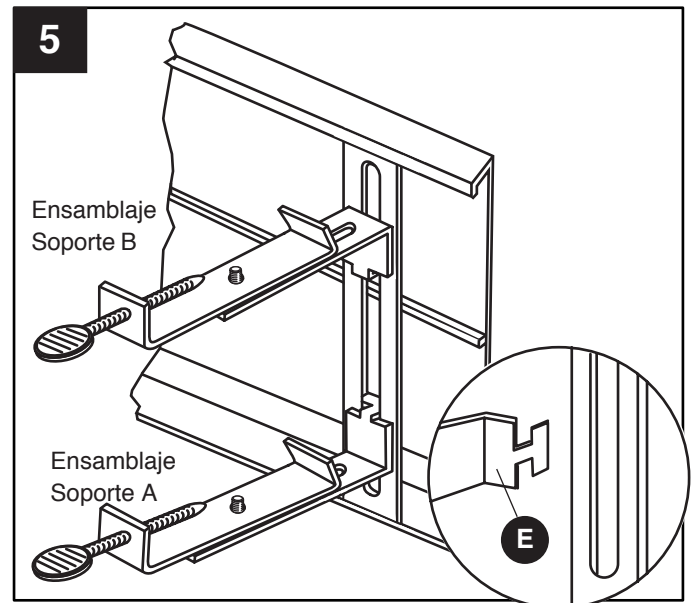
4. *La barra para dintel es el ángulo de hierro con forma de "L" que sostiene el ladrillo por la parte superior del hueco de la chimenea. Esta barra se montó en su chimenea de mampostería cuando ésta fue construida. Mida el ancho de la barra de dintel. Si la barra tiene menos de 3" o más de 4" de ancho, consulte el apartado Instrucciones Alternativas de Montaje (Vea Página 26) y sátese los pasos 4-6 de esta sección.* Para determinar el conjunto de soporte apropiado para su chimenea, medir la distancia desde la parte inferior de la barra de dintel en la parte inferior de la chimenea. Utilizar esta medida para determinar dónde está el Bar dintel se alinean con los soportes de ranura en la parte posterior de su marco. Si la medida llega a la parte superior de los soportes ranurados, siga Ensamblaje soporte A. Si la medida no es la misma altura que los soportes ranurados, siga Montaje del soporte de B.

Ajuste el soporte E) a la abrazadera del dintel (D) con el 1/4-20 x 1/4" tornillo de máquina (A). No apriete. Atornille la 1/4-20 x 2" empulguera (C) a la abrazadera del dintel. No apriete.

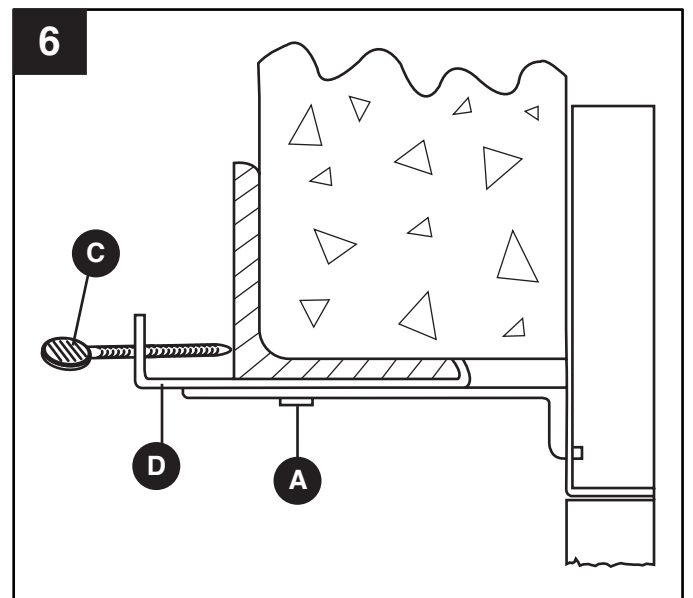


## INSTRUCCIONES DE ENSAMBLAJE

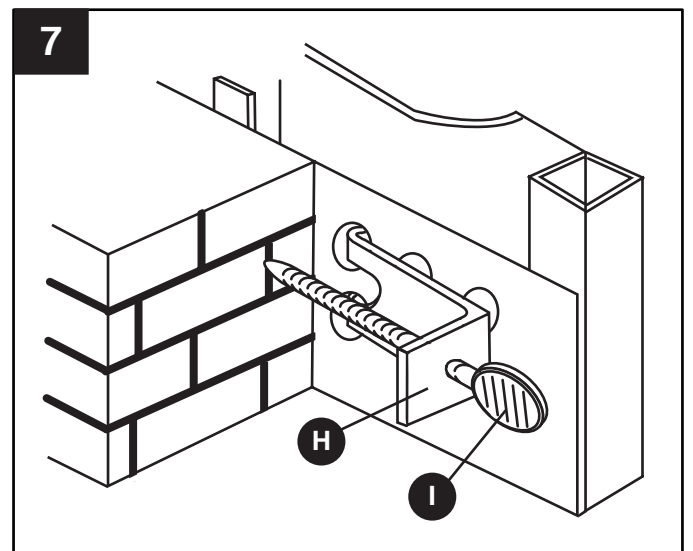
5. Manteniendo los paneles de puertas totalmente abiertas, coloque la puerta de cristal contra la chimenea. Colocar la "T" la cabeza del soporte de clave en el soporte de ranuras (E) en la parte de atrás de la puerta como en el grabado y conjunto de soporte a su vez a la posición horizontal como se muestra en la Figura 5. Repita en el extremo opuesto.



6. Centre la puerta de vidrio contra el hueco de la chimenea. (Puede ser necesaria una segunda persona para sostener firmemente la puerta contra el hueco de la chimenea). Introdúzcala bien y deslice la abrazadera del lintel (D) de atrás hacia delante para que se sujete firmemente contra la barra. Apriete el tornillo de máquina (A). Asegúrese de que la puerta está sujeta a la chimenea y apriete la empulgadora (C) hasta que la pantalla se fije en la parte superior. (Vea dibujo 6). Repita lo mismo en el otro lado.



7. Inserte la 1/4-20 x 3 1/2" empulgadora (I) en los soportes de presión (H). Inserte el soporte de presión (H) en un par de agujeros próximos a el extremo del hueco de la chimenea. Con la empulgadora (I) señalando hacia la pared lateral de la chimenea. Apriete la empulgadora (I) a la pared. Repita lo mismo en el otro lado.



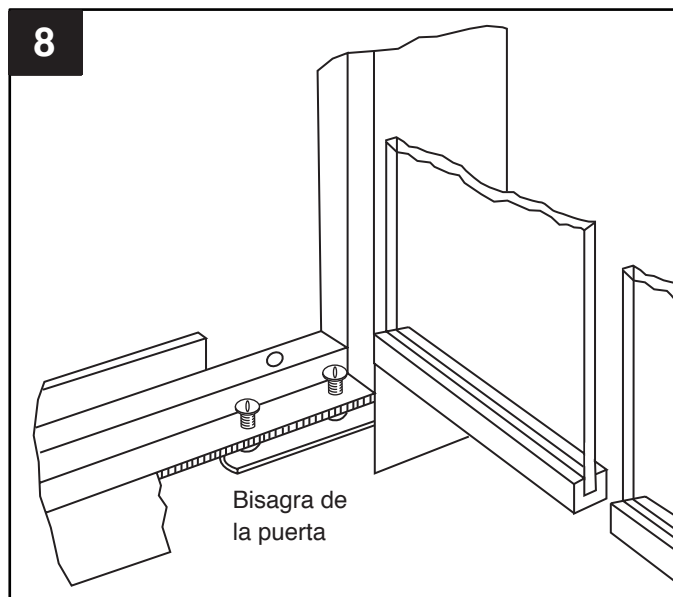


## INSTRUCCIONES DE ENSAMBLAJE

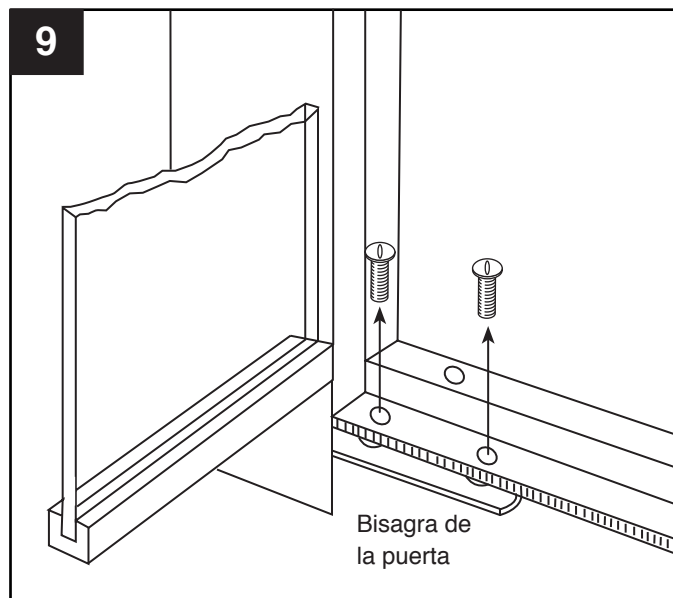
8. Hay cuatro bisagras para el panel de la puerta, (dos en la parte superior y dos en la parte inferior). Las bisagras del panel de la puerta están diseñadas para que se ajusten. Si los paneles de la puerta no están alineados de igual manera o si existe demasiado espacio entre el centro de los paneles de la puerta (cuando están cerrados) puede ajustarlos como se indica a continuación:

Abra los paneles de la puerta. Afloje los tornillos de la bisagra interior del panel. **No quite los tornillos.** Deslice las bisagras de derecha a izquierda hasta que se iguale el espacio entre el centro de los paneles. (Ver dibujo 8).

Regrese las puertas de panel a su original posición. Con cuidado mantener la posición de la bisagra de panel de la puerta y apriete los tornillos.



9. Para quitar los paneles de puerta para su limpieza o sustitución, abra los paneles de la puerta. Extraiga los tornillos de la bisagra del panel de la puerta de las bisagras superior e inferior (Ver dibujo 9). Extraiga el panel o paneles de la puerta.



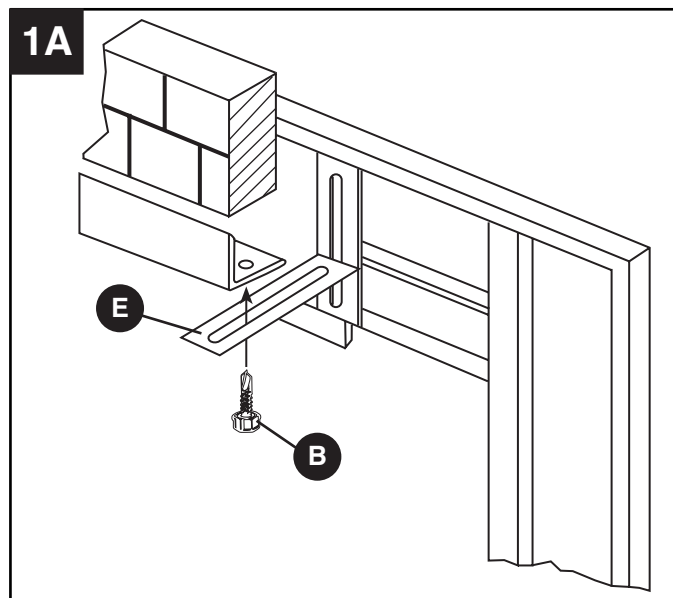
**NOTA:** En algunos modelos el tubo vertical tiene dos series de agujeros (en la parte superior e inferior). Para un adecuado montaje al ras use los agujeros de la parte superior o inferior, cualesquiera que sean adecuados al marco. Recuerde que un montaje adecuado al ras significa que los extremos posteriores del tubo vertical y los extremos posteriores del ensamblaje del marco inferior estén parejos. En algunos casos el tubo vertical sobresaldrá frente al ensamblaje del marco, lo cual es normal.

## MONTAJE ALTERNATIVO (por encima de la puerta de vidrio)

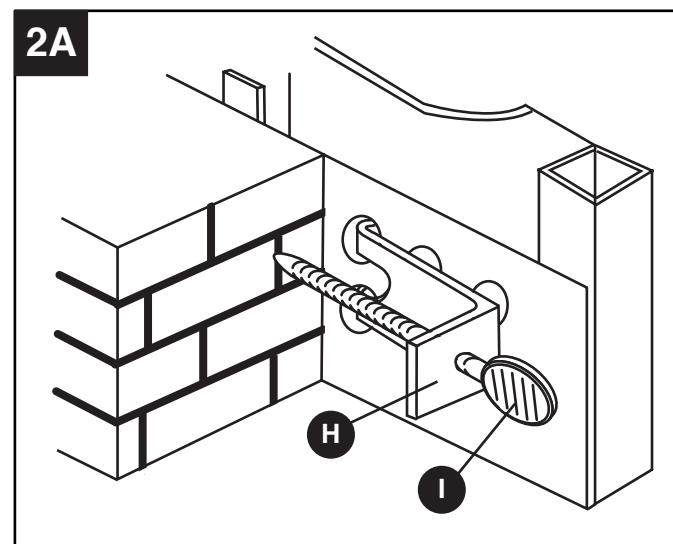
### HERRAMIENTAS ADICIONALES NECESARIAS:

Taladro eléctrico de alta velocidad sobre el acero de 7/32", lápiz y gafas de seguridad

**1A.** Hay dos soportes de ranura unidos a la parte posterior del marco de la puerta (en la parte superior). Una un soporte (E) a cada uno de los soportes de ranura (Vea dibujo 1A). Coloque la puerta de vidrio en el hueco de la chimenea, céntrela y marque la barra de dintel a través de las ranuras de los soportes (2 huecos). (Una segunda persona sera necesaria para sujetar el vidrio y ajustar al hueco de la chimenea). Remove the glass door and drill a 7/32" hole. Retire la puerta de vidrio y taladre un agujero de 7/32" en cada lugar marcado. (*Lleve siempre las gafas de seguridad cuando este taladrando.*) Coloque la puerta de vidrio en la chimenea y alinéelos huecos con la ranura de cada soporte (E). Utilice tornillos de rosca cortante de 1/4-20 x 1/2" (B) para unir ambos soportes a la barra del dintel.



**2A.** Inserte la 1/4-20 x 3 1/2" empulguera (I) en los soportes de presión (H). Inserte el soporte de presión (H) en un par de agujeros próximos a el extremo del hueco de la chimenea. Con la empulguera (I) señalando hacia la pared lateral de la chimenea. Apriete la empulguera (I) a la pared. Repita lo mismo en el otro lado.



## **CUIDADO Y MANTENIMIENTO**

---

### **Limpieza del Vidrio:**

No limpie los paneles de vidrio cuando están calientes. Si los limpia cuando están calientes puede hacer que se rompa el vidrio. Limpie el vidrio con una solución suave de agua y amoníaco. No utilice estropajos, cera, limpiadores derivados del petróleo o raspadores. Si desea extraer las puertas para su limpieza compruebe que los paneles están fríos y siga las instrucciones en el apartado "Extracción de las puertas de vidrio".

### **Limpieza del marco de metal y el reborde:**

No utilice disolventes ni limpiadores abrasivos que dañen la pintura. El marco de metal y el reborde están cubiertos de polvo para evitar que pierdan el brillo a causa del calor. Se puede producir decoloración como resultado de hacer grandes fuegos o por tener la parrilla para la leña demasiado cerca de las puertas. Huellas digitales o marcas suaves en el marco son fácilmente removibles usando alcohol de frotación y un trapo seco y suave.

## **UN AÑO DE GARANTÍA LIMITADA**

---

### **UN AÑO DE GARANTÍA LIMITADA**

Si durante el primer año desde la compra original este producto falla debido a un defecto en el material o su fabricación, se lo repararemos o reemplazaremos, a nuestra opción, libre de cargo. Para pedir las partes u obtener el servicio de garantía, llame al 1-877-447-4768, de Lunes a Viernes de 8:30am-4:30pm CST. Esta garantía no cubre los defectos que sean resultado de un uso incorrecto o anormal, abuso, mal uso, accidente o alteración. El hecho de no seguir al pie de la letra todas las instrucciones del manual del propietario anula también la presente garantía. El grupo GHP INC no se hará responsable de daños adicionales o resultantes. Algunos estados no permiten la exclusión o limitación de daños adicionales o resultantes, así que dicha limitación puede que no sea aplicable a su caso. La presente garantía le proporciona derechos legales y específicos y usted puede tener también otros derechos según el estado en el que habite.

GHP Group, Inc. • 6440 W. Howard St. • Niles, IL 60714-3302 • [www.ghpgroupinc.com](http://www.ghpgroupinc.com)